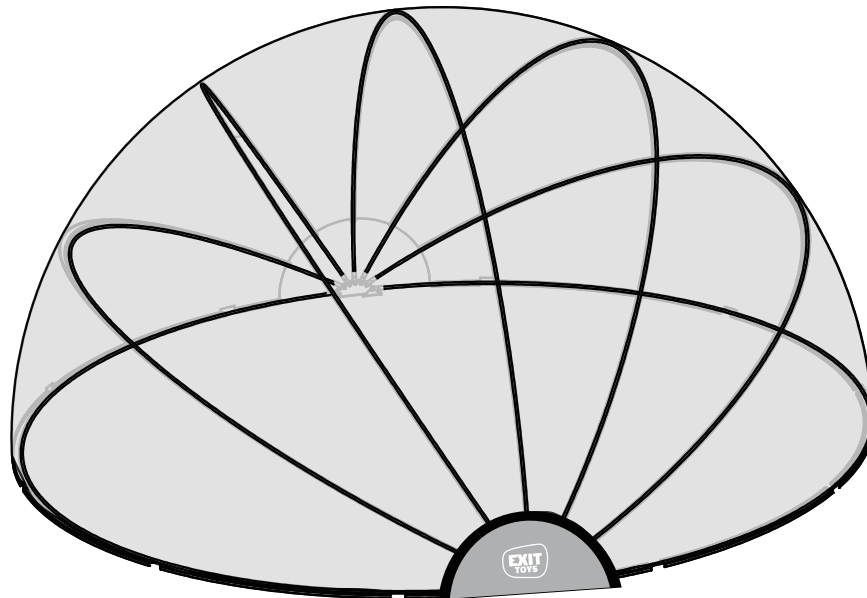




# Ground Dome

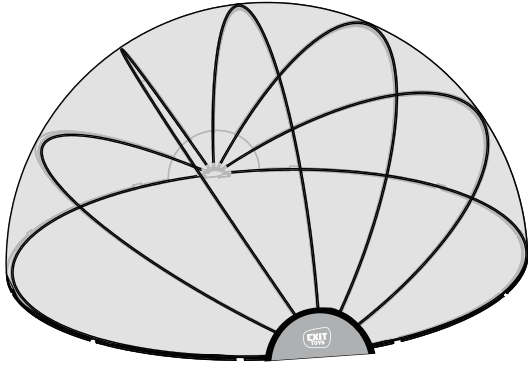
EXIT Ground Dome\_ECO\_ ø460/ø550



 **WARNING**  
CHOKING HAZARD  
small parts  
Adult assembly required  
retain for future reference



## EXIT Ground Dome \_ECO\_ø460/ø550



# Ground Dome

EXIT Ground Dome\_ECO\_ø460/ø550

**1**

15ft  
18ft

15ft	76.75.15.01	1x	*
18ft	76.75.18.01	1x	*

**2**

15ft  
18ft

15ft	76.75.15.02	1x
18ft	76.75.18.02	1x

**3**

15ft/18ft	76.75.50.03	2x
-----------	-------------	----

**4**

15ft  
18ft

15ft	76.75.15.00	1x
18ft	76.75.18.00	1x

**5**

5-1  
1pc  
5-2  
1pc  
5-3

15ft:5pcs 18ft:6pcs

**6**

15ft	76.75.15.06	1x
18ft	76.75.18.06	1x

**7**

15ft	76.75.15.07	1x
18ft	76.75.18.07	1x

**8**

15ft:4.9m/18ft:5.8m

15ft	76.75.15.13	2x
18ft	76.75.18.13	2x

**9**

15ft/18ft	76.75.50.16	2x
-----------	-------------	----

**10**

15ft/18ft	76.75.50.17	8x
-----------	-------------	----

**11**

0.3M

15ft/18ft	76.75.50.14	6x
-----------	-------------	----

**12**

0.3M

15ft/18ft	76.75.50.15	3x
-----------	-------------	----

15ft/18ft 76.75.50.29 1x

**13**

M8x15	5x
-------	----

**14**

Ø8x25	14x
-------	-----

**15**

Cap	1x
-----	----

**16**

SI4020	1x
--------	----

**17**

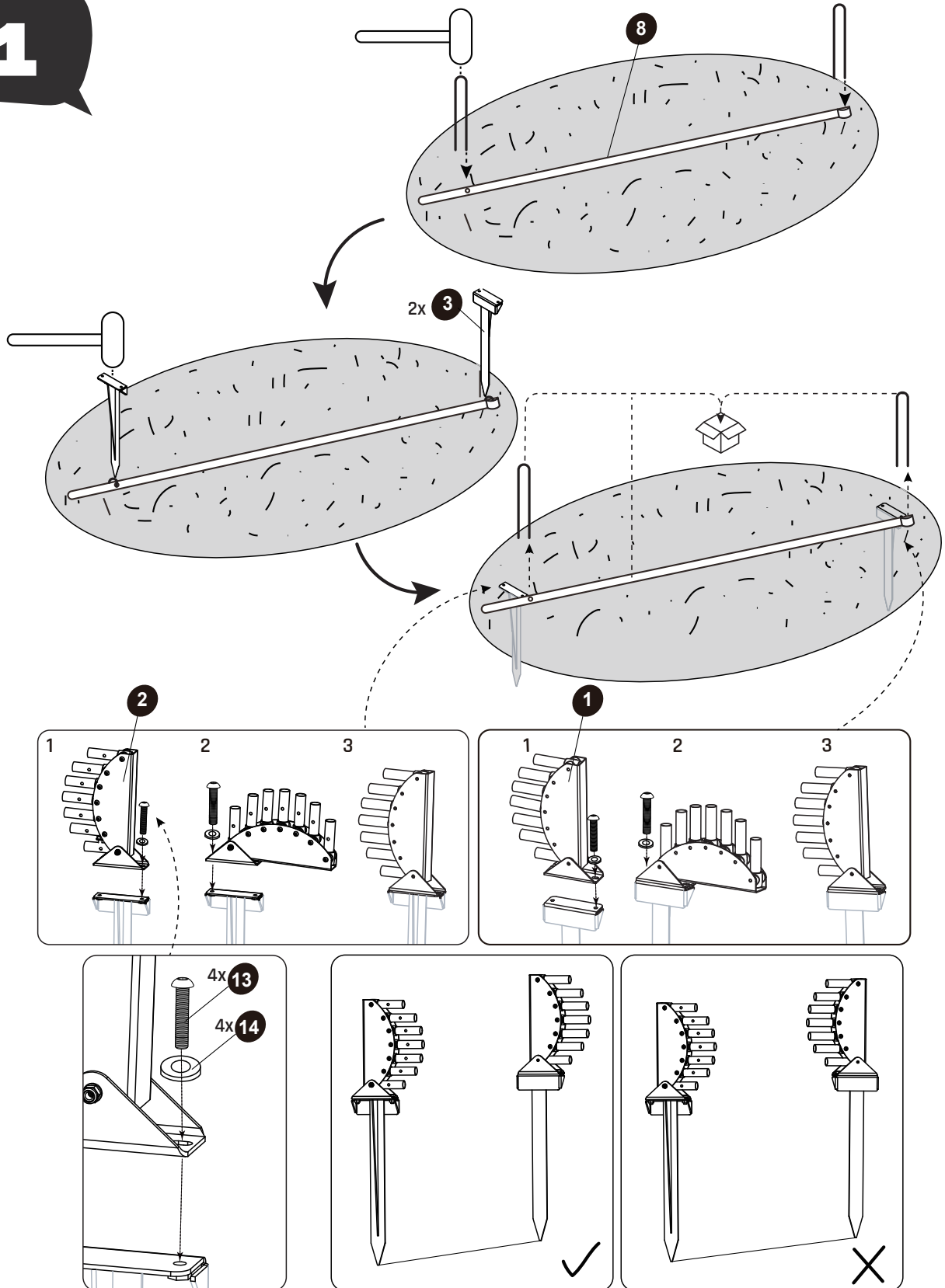
Tool	2x
------	----

15ft/18ft 76.75.50.08 1x

\* BOX REFERENCE: XX.XXX  
PRODUCTION ID: XXX XXX



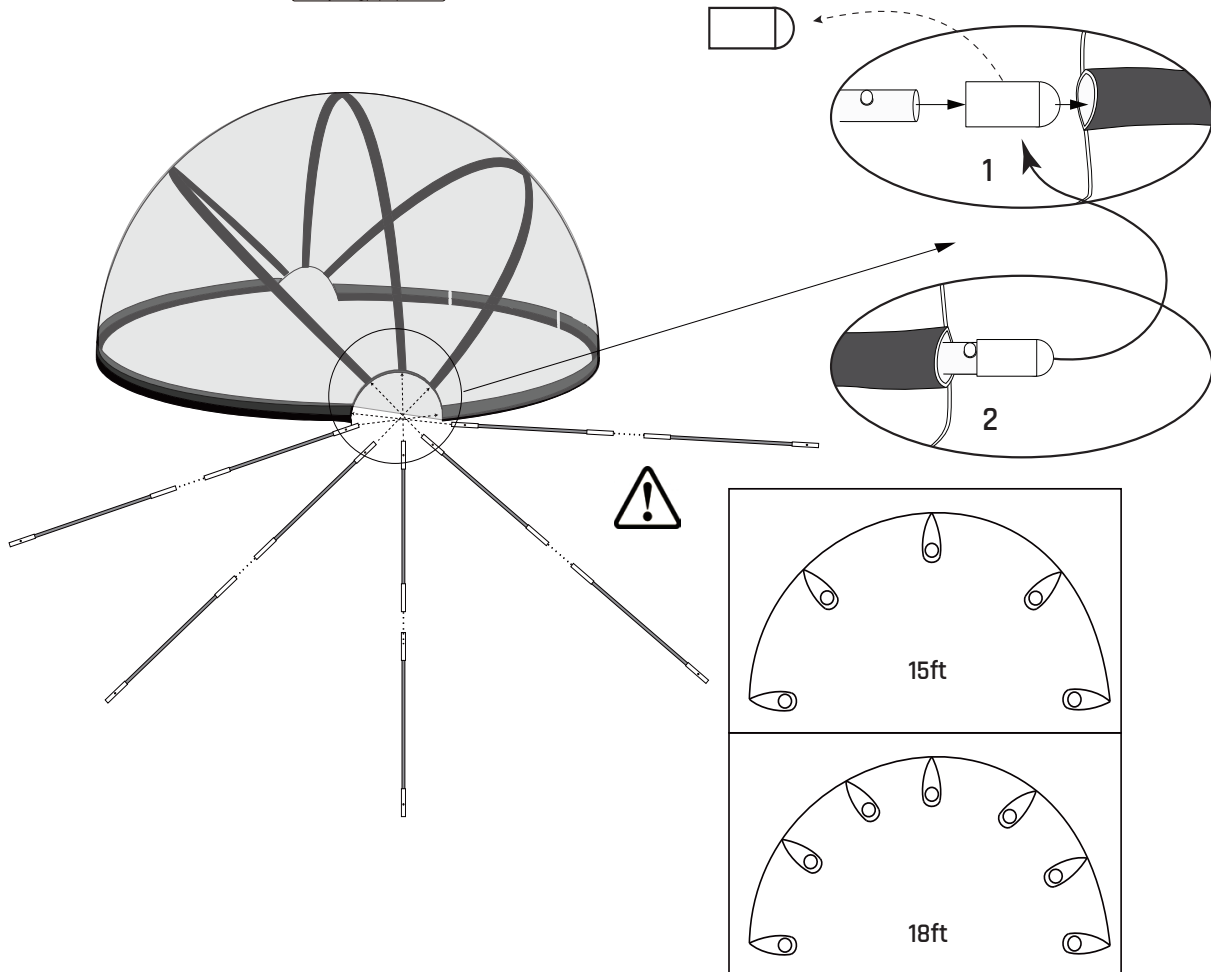
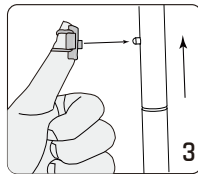
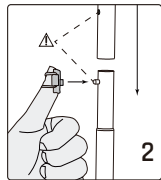
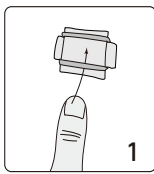
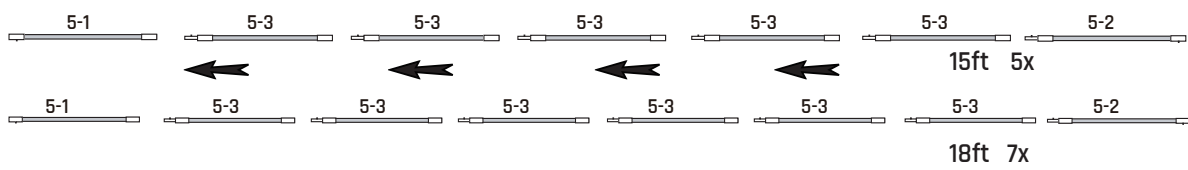
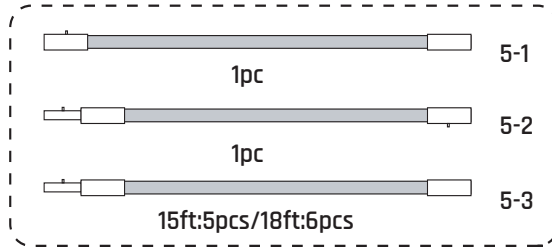
**1**



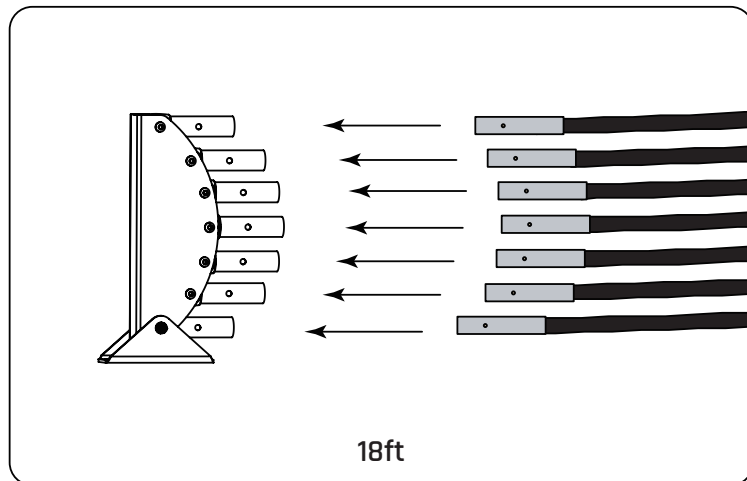
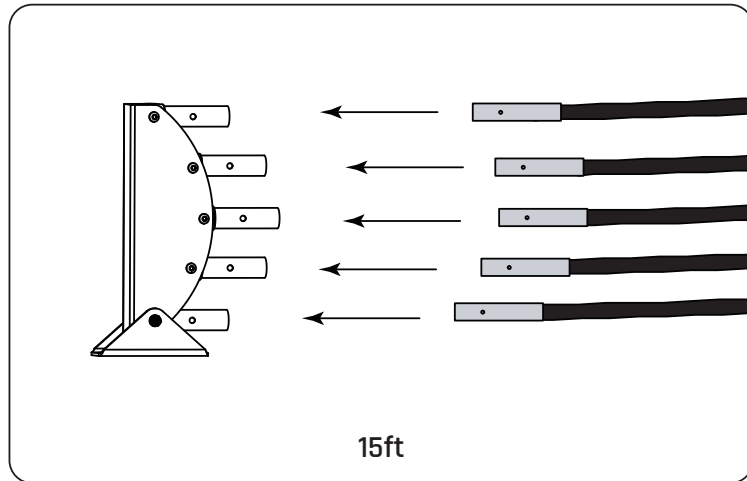
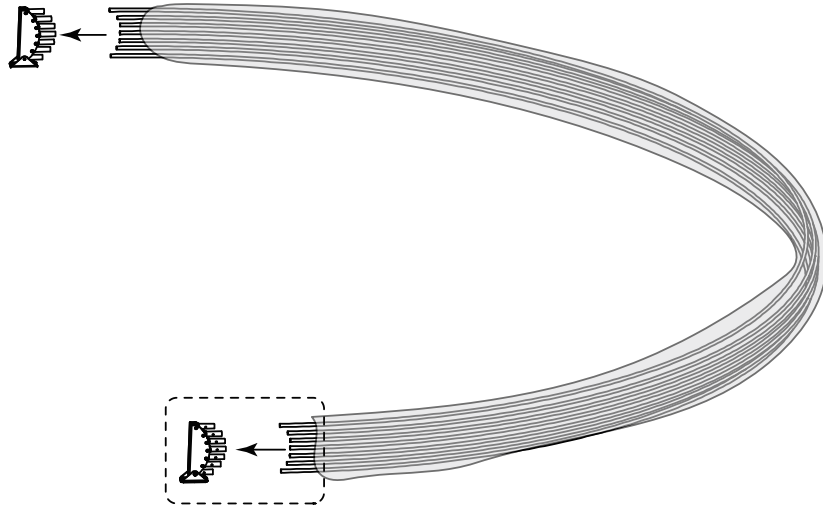
# Ground Dome

EXIT Ground Dome\_ECO\_ø460/ø550

2

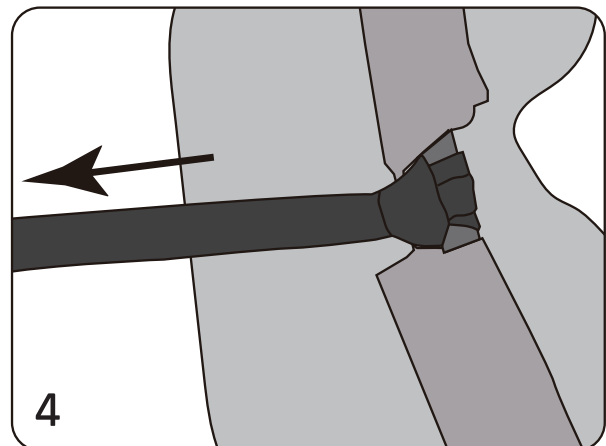
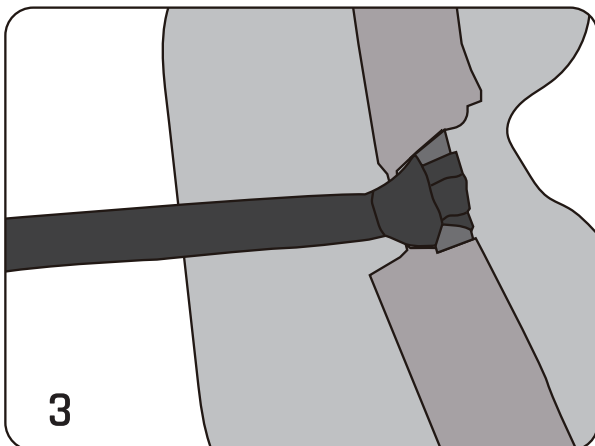
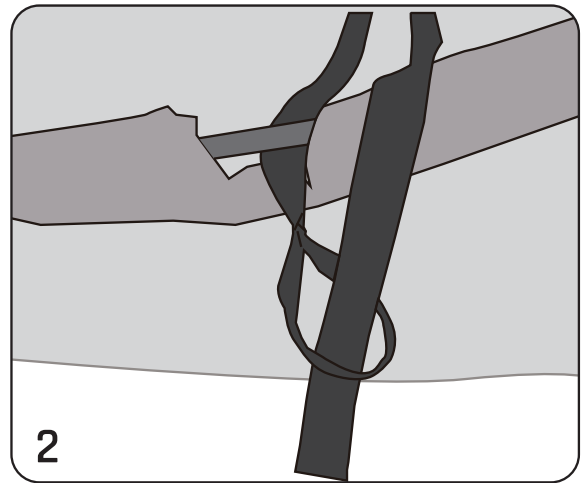
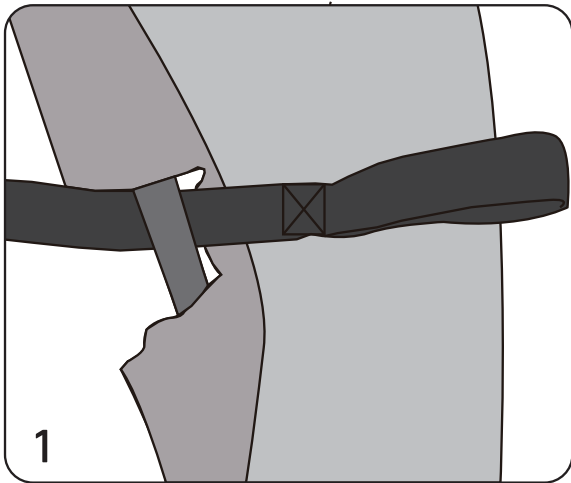
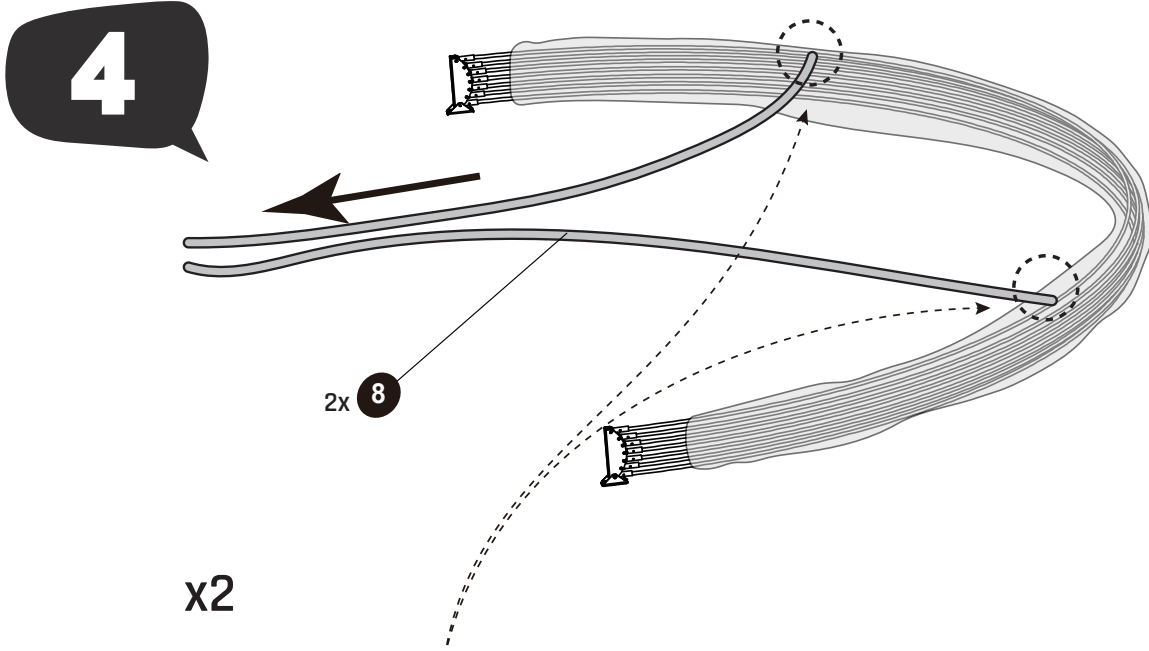


**3**

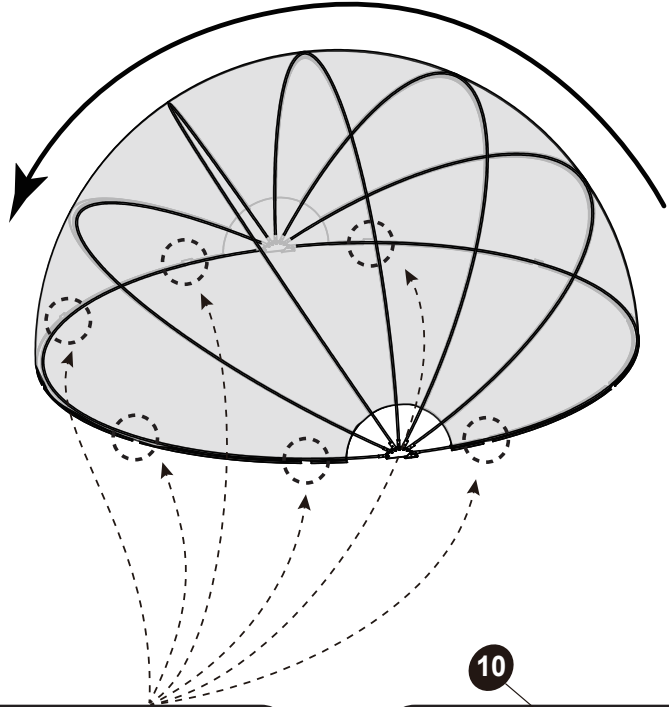


# Ground Dome

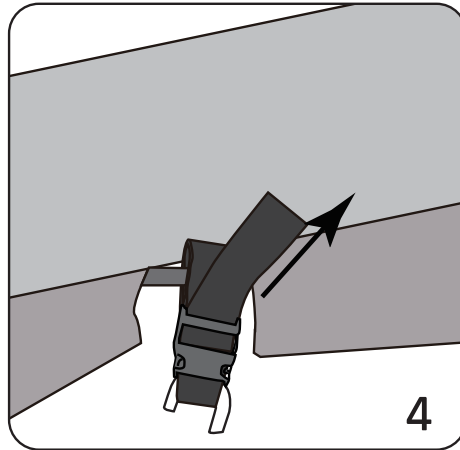
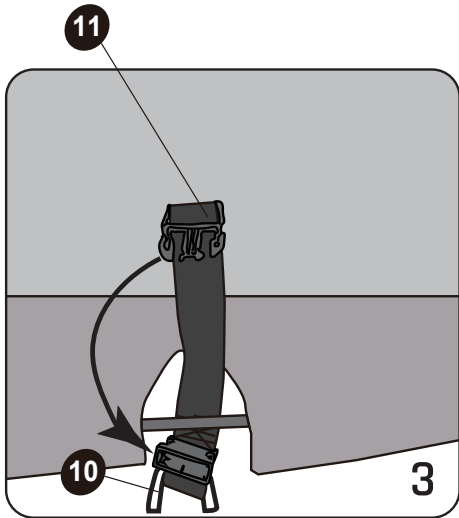
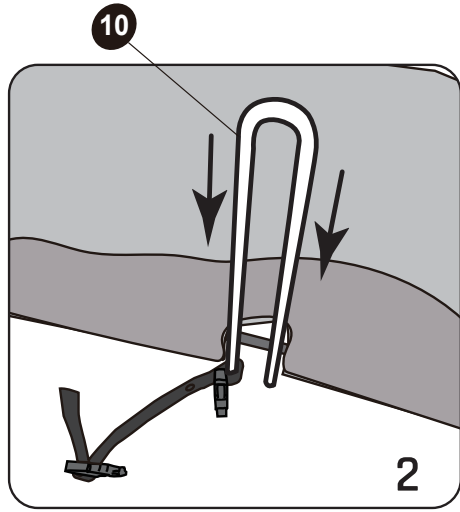
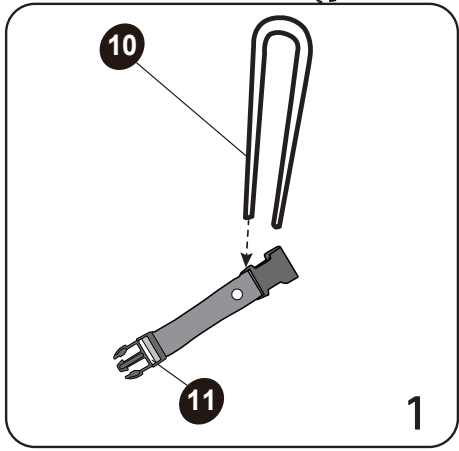
EXIT Ground Dome\_ECO\_ø460/ø550



**5**



x6

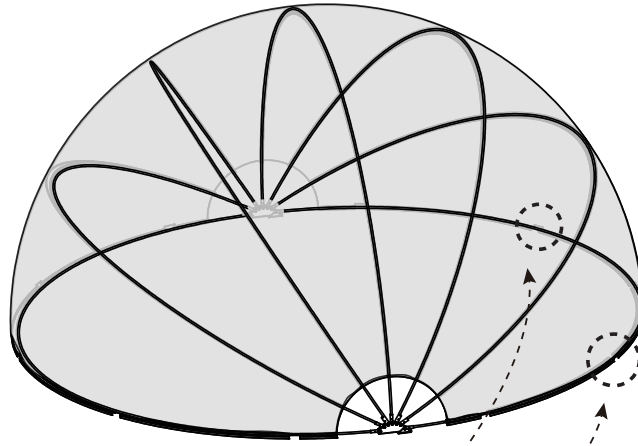




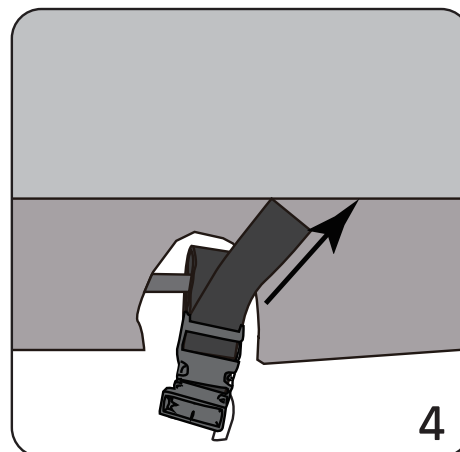
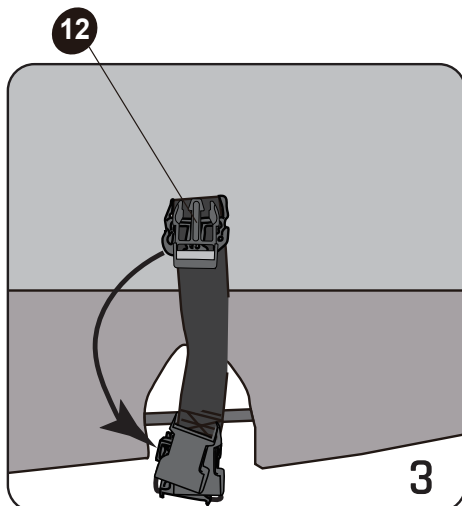
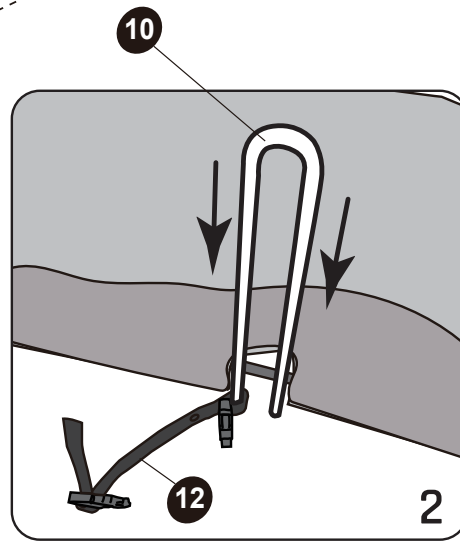
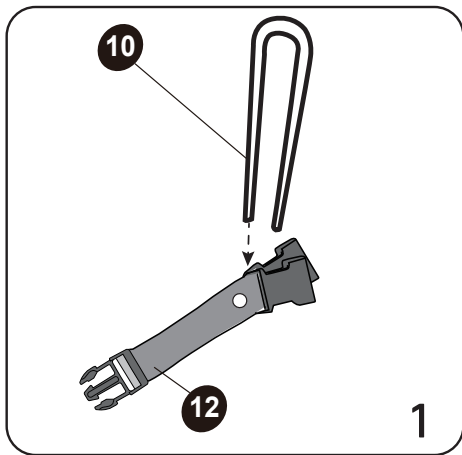
# Ground Dome

EXIT Ground Dome\_ECO\_ø460/ø550

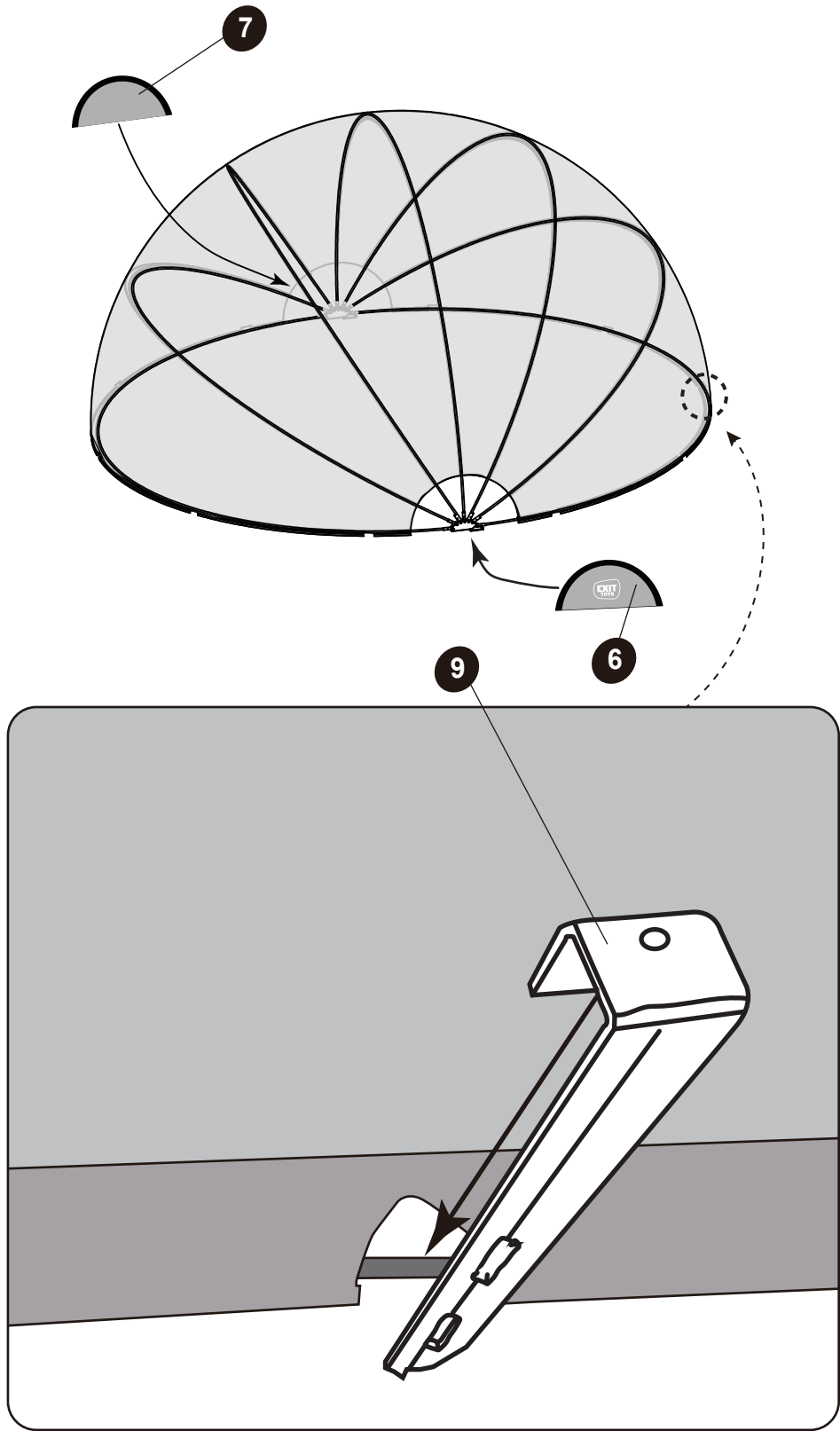
6



x2



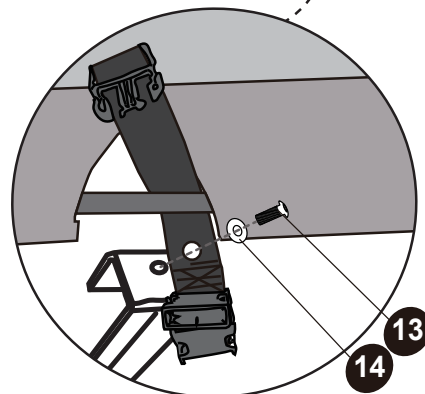
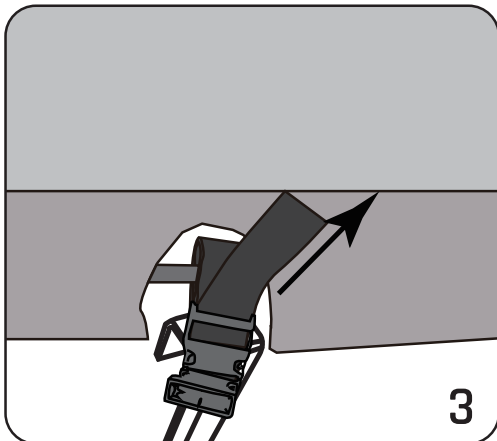
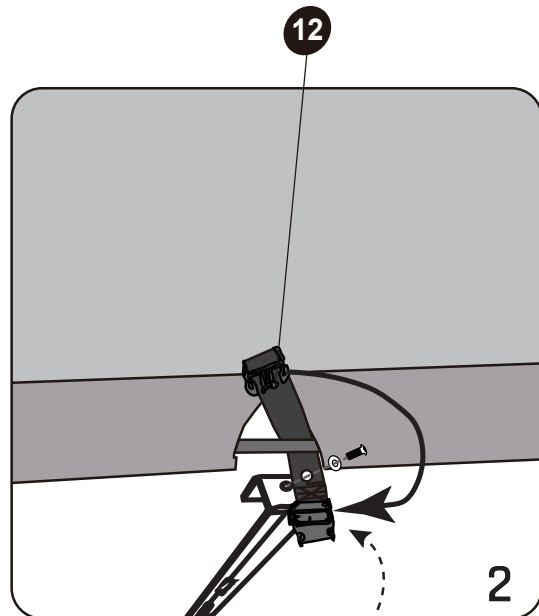
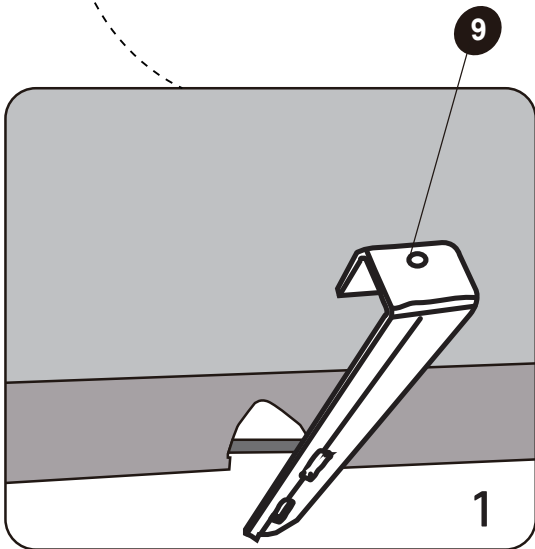
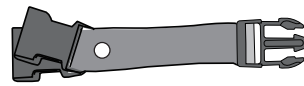
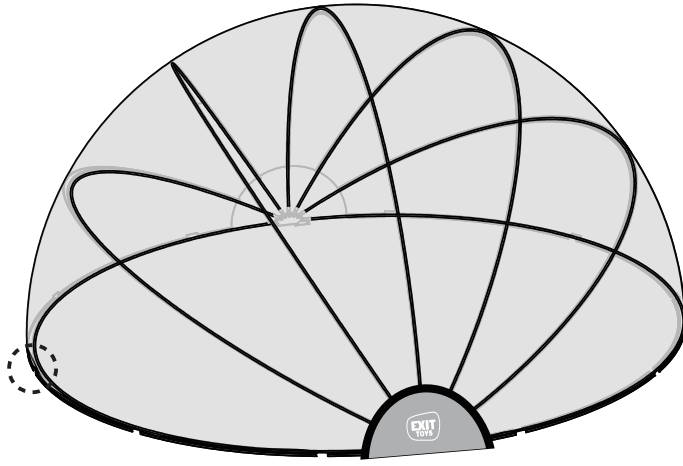
**7**



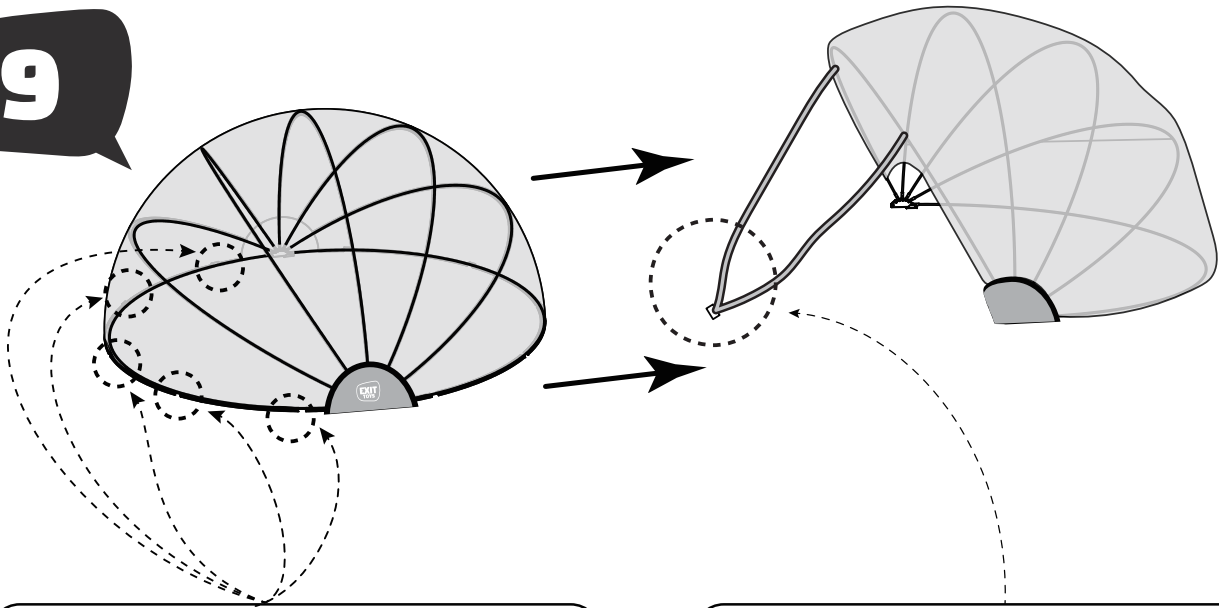
# Ground Dome

EXIT Ground Dome\_ECO\_ø460/ø550

8



**9**



This inset diagram shows a harness strap with a buckle being attached to a base. The strap is shown in two positions: one where it is being inserted into the base and another where it is fully attached.

**x5**

This inset diagram shows two harness straps being connected. The top part shows the straps being brought together. The middle part shows the straps being connected to a central point, with arrows indicating the direction of movement. The bottom part shows the straps being secured with buckles.

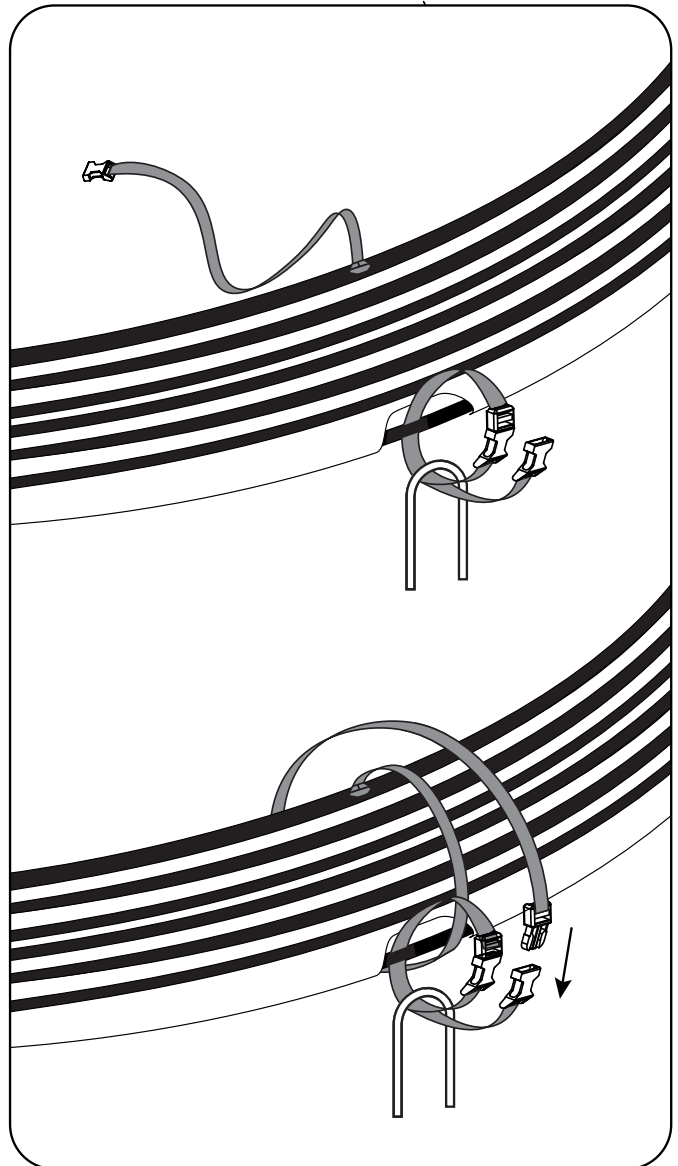
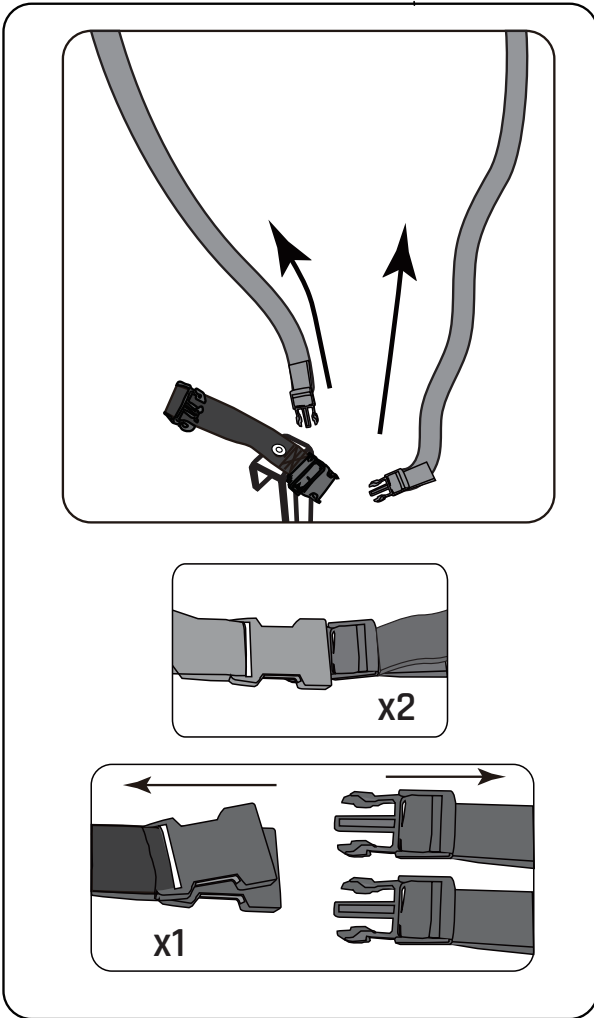
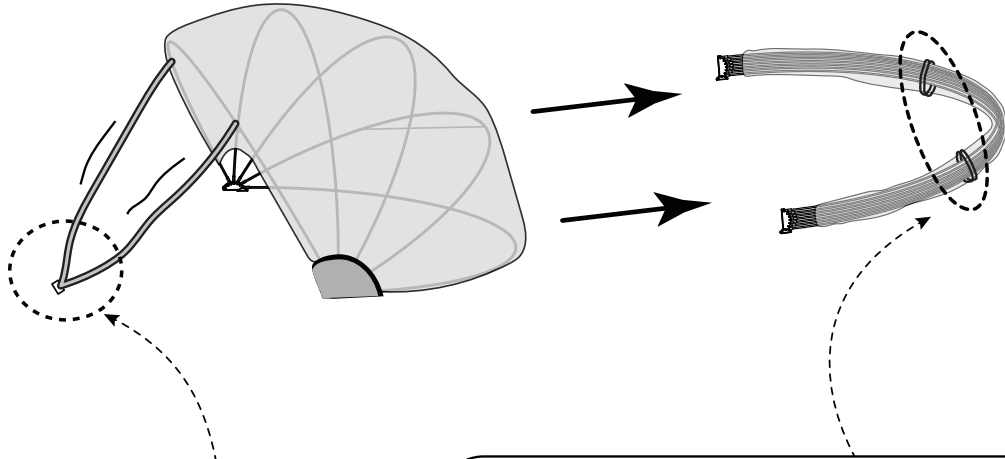
**x1**

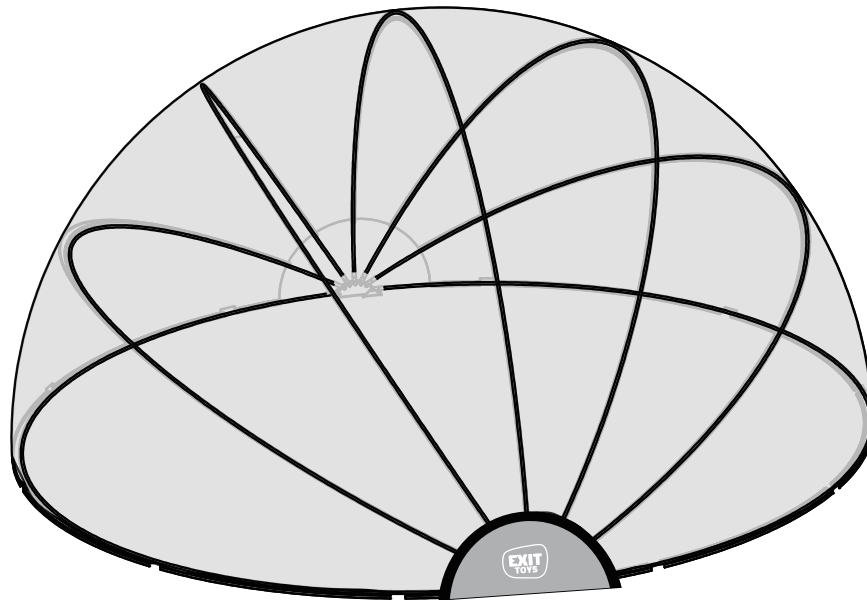
**x2**

# Ground Dome

EXIT Ground Dome\_ECO\_ø460/ø550

10





# Ground Dome

EXIT Ground Dome\_ECO\_ø460/ø550



[www.exittoys.com](http://www.exittoys.com)



**Contact Information:**

Dutch Toys Group B.V.  
Edisonstraat 83  
7006 RB Doetinchem, The Netherlands

[info@exittoys.com](mailto:info@exittoys.com)  
[www.exittoys.com](http://www.exittoys.com)

EXIT Toys is part of:

**SIMBA · DICKIE · GROUP**

EXIT Toys is a registered trade mark of Dutch Toys Group